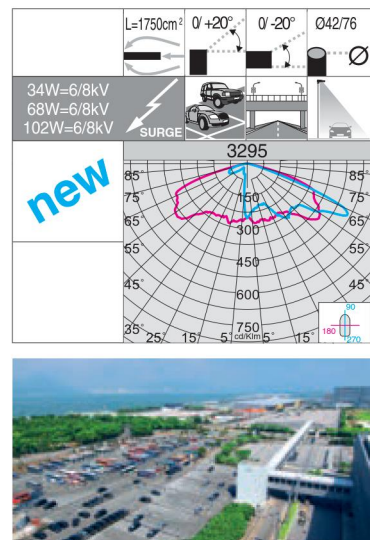
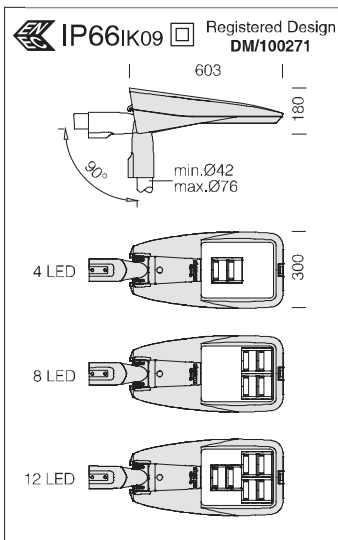


Optics: in aluminium coated with very high purity (99.99%) silver using physical vapour deposition (PVD).

LED: Power factor ≥ 0.92 .
Luminous flux maintenance 80%: 80.000h (L80B10).

3294 Sella 1 - cycleways					
		CLD CELL		LUMEN OUTPUT (tq= 25 °C)	
wattage (700mA)	colour	weight	code	W tot	K - ðlm 700mA - CRI
LED	grey	7.20	330702-00	34	4000K - 3011lm - CRI 70
	graphite		330700-00		
LED	grey	7.20	330702-39	34	3000K - 2800lm - CRI 70
	graphite		330700-39		
LED	grey	7.20	330703-00	68	4000K - 6015lm - CRI 70
	graphite		330701-00		
LED	grey	7.20	330703-39	68	3000K - 5594lm - CRI 70
	graphite		330701-39		

On request: possibility to control each individual light point (see table on p. 343).



Optics: in aluminium coated with very high purity (99.99%) silver using physical vapour deposition (PVD).

LED: Power factor ≥ 0.92 .
Luminous flux maintenance 80%: 80.000h (L80B10).

3295 Sella 1 - large areas					
		CLD CELL		LUMEN OUTPUT (tq= 25 °C)	
wattage (700mA)	colour	weight	code	W tot	K - ðlm 700mA - CRI
LED	grey	7.20	330724-00	34	4000K - 2862lm - CRI 70
	graphite		330720-00		
LED	grey	7.20	330724-39	34	3000K - 2662lm - CRI 70
	graphite		330720-39		
LED	grey	7.20	330725-00	68	4000K - 5725lm - CRI 70
	graphite		330721-00		
LED	grey	7.20	330725-39	68	3000K - 5324lm - CRI 70
	graphite		330721-39		
LED	grey	7.20	330726-00	102	4000K - 8587lm - CRI 70
	graphite		330722-00		
LED	grey	7.20	330726-39	102	3000K - 7986lm - CRI 70
	graphite		330722-39		

On request: possibility to control each individual light point (see table on p. 343).

